

### 主要特点及用途

1. 阀门与管路连接采用焊接式结构。
2. 密封面不易磨损、擦伤、密封性能好、寿命长。
3. 结构紧凑、启闭性好、高度小、维修方便。
4. 适用于水、蒸汽、油品管路上，具有耐高温、耐高压的特点。

### Main Features and Uses

1. Valve and pipeline connection using welded structure.
2. Sealing surface is not easy to wear, abrasion, good sealing performance, long life.
3. Compact structure, good opening and closing, small height, easy maintenance.
4. Suitable for water, steam, oil pipeline, with high temperature, high pressure characteristics.

### 性能规范 Performance Specification

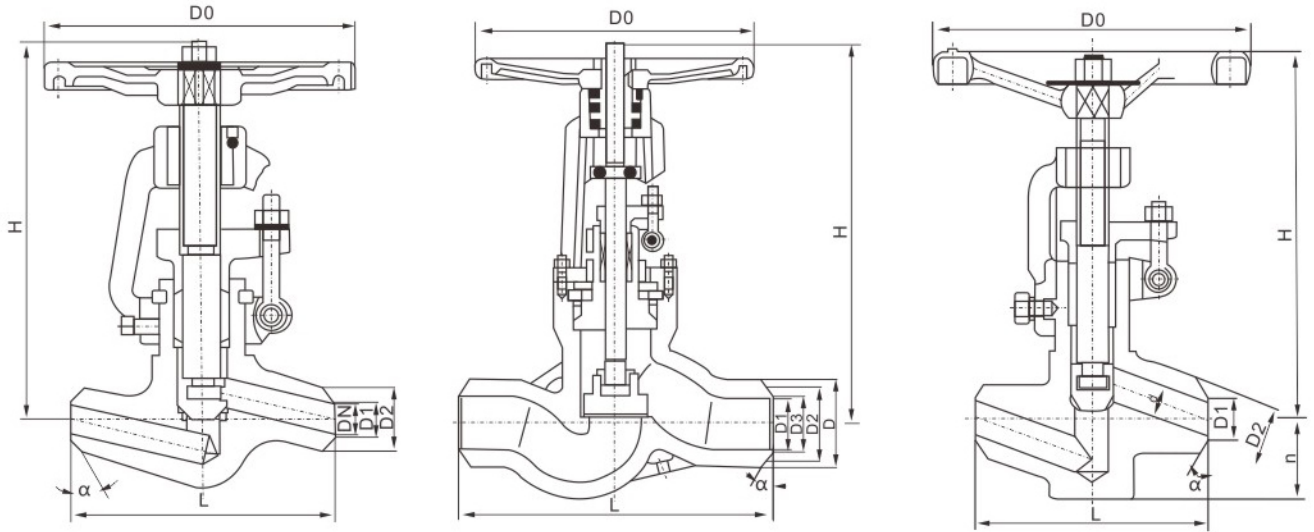
型号 Model	公称压力 Nominal pressure	试验压力 Test pressure		工作压力 Working pressure			工作温度 Working temperature	适用介质 Applicable medium
		壳体强度 Shell strength	密封 Seal	P54	P55	P57		
J61 <sup>H</sup> <sub>Y</sub> -100	10	15	11	/	/	/	≤450°C	水、蒸汽、油品
J61 <sup>H</sup> <sub>Y</sub> -200	20	30	22	/	/	/		
J61 <sup>H</sup> <sub>Y</sub> -250	25	38	28	/	/	/		
J61 <sup>H</sup> <sub>Y</sub> -320	32	48	36	/	/	/		
J61Y-P54/100V	/	30	22	10	/	/	≤540°C	蒸汽
J61Y-P54/140V	/	38	28	14	/	/		
J61Y-P54/170V	/	48	36	17	/	/		
J61Y-P54/100V	/	38	28	/	10	/	≤555°C	
J61Y-P54/140V	/	48	36	/	14	/		
J61Y-P54/170V	/	53	39	/	17	/		
J61Y-P54/100V	/	48	36	/	/	10	≤570°C	
J61Y-P54/140V	/	55	40	/	/	14		
J61Y-P54/170V	/	60	44	/	/	17		

### 主要零件材料 Main Part Material

型号 Model	阀体 Body	阀盖 Valve cover	阀杆 Stem	阀瓣 Valve	密封面 Sealing surface	填料 Filler	阀杆螺母 Stem nut	手轮 Handwheel	紧固件 A fastening
J61H J961H	25 WCB	25 WCB	铬不锈钢 Chrome stainless steel	铬不锈钢 Chrome stainless steel	铬不锈钢 Chrome stainless steel	柔性石墨 Flexible graphite	铝青铜 Aluminum bronze	可锻铸铁 Malleable iron	优质碳钢 铬钼钢 High quality carbon steel Cr Mo steel
J61Y J961Y	25 WCB	25 WCB	铬不锈钢 Chrome stainless steel	25	硬质合金 Cemented carbide				
J61Y-P54 J961Y-P54	12Cr1MoV WC6	12Cr1MoV WC6	20Cr1Mo1VA 38Cr1MoAlA	12Cr1MoV	硬质合金 Cemented carbide				
J61Y-P55 J961Y-P55	12Cr1MoV WC6	12Cr1MoV WC6	20Cr1Mo1VA 38Cr1MoAlA	12Cr1MoV	硬质合金 Cemented carbide				
J61Y-P57 J961Y-P57	12Cr1MoV WC9	12Cr1MoV WC9	20Cr1Mo1VA 38Cr1MoAlA	12Cr1MoV	硬质合金 Cemented carbide				

# HIGH TEMPERATURE AND PRESSURE POWER STATION GLOBE VALVE

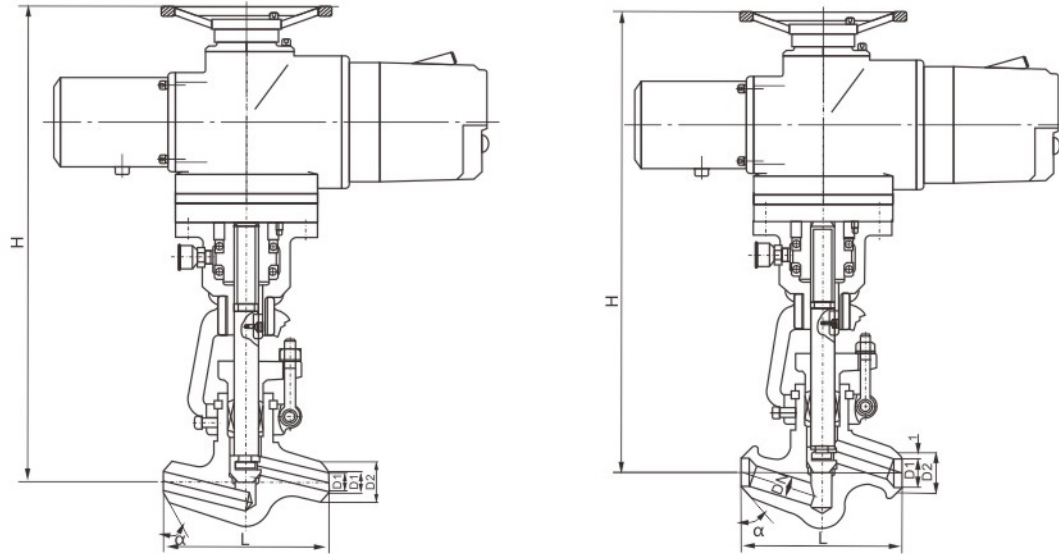
高温高压电站截止阀



## 主要连接尺寸及重量 Main Connection Dimensions and Weight

公称通径 DN	主要外型尺寸和连接尺寸 Main dimensions and connection dimensions							WT (kg)
	L	D1	D2	D3	$\alpha$	H	D0	
<b>J61Y-100, 200, 250, 320 J961Y-P54/100V, P54/140V, P54/170V</b>								
10	120	10	27	/	37.5°	185	140	2.8
15	150	13	40	/	37.5°	247	200	7.5
20	135 170	18	40	/	37.5°	248	200	9
25	135 170	22	50	/	37.5°	248	240	9.5
32	170 180	24	55	/	37.5°	248.5	280	15
40	230	36	60	/	37.5°	440	280	23
50 <sup>(1)</sup>	250	48	90	/	32°	450	320	60
50 <sup>(2)</sup>	320 350	50	82	/	32°	450	320	64
65	370 260	69	100	110	32°	669	400	74
80	400 430 470	84	108	130	32°	669	450	112.5
100	455 560	107	144	165	32°	755	500	178.5
注：DN50为两种结构								
<b>J61Y-P55/100V, P55/140V, P55/170V J61Y-P57/100V, P57/140V, P57/170V</b>								
10	120	12	28	/	37.5°	189	140	3
15	150	17	40	/	37.5°	250	200	9
20	135 170	22	46	/	37.5°	252	200	11
25	135 170	26	46	/	37.5°	254	240	13
32	170 180	31	49	/	37.5°	254	280	17
40	230	38	60	/	37.5°	440	280	23
50 <sup>(1)</sup>	250	50	90	/	32°	453	320	68
50 <sup>(2)</sup>	320 350	50	90	/	32°	455	320	72
65	370 260	69	104	110	32°	630	400	83
80	400 430 470	84	110	140	32°	672	450	118
100	455 560	107	148	170	32°	761	500	185

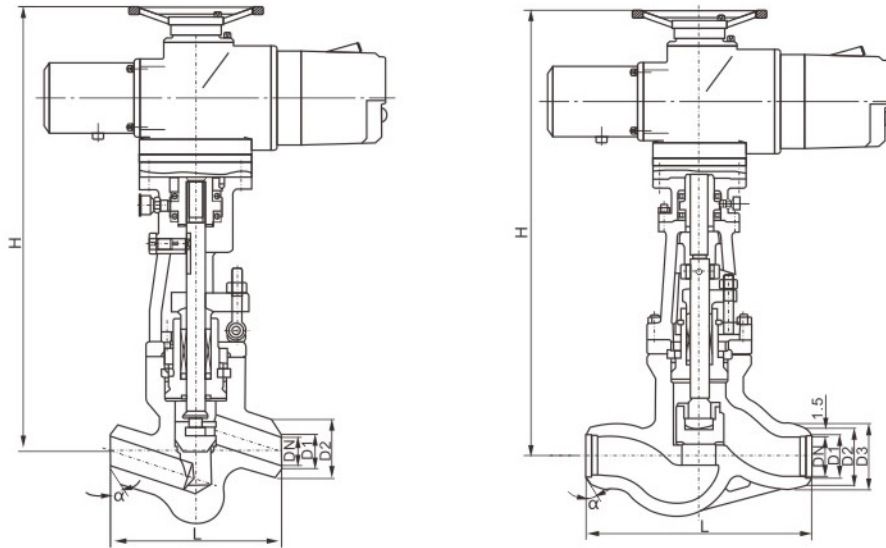
高温高压电动电站截止阀



性能规范 Performance Specification

型号 Model	公称压力 Nominal pressure	试验压力 Test pressure		工作压力 Working pressure			工作温度 Working temperature /°C	适用介质 Applicable medium
		壳体强度 Shell strength	密封 Seal	P54	P55	P57		
J961 <sup>H</sup> <sub>Y</sub> -100	10	15	11	/	/	/	≤450	水、蒸汽、油品 Water, steam, oil
J961 <sup>H</sup> <sub>Y</sub> -200	20	30	22	/	/	/		
J961 <sup>H</sup> <sub>Y</sub> -250	25	38	28	/	/	/		
J961 <sup>H</sup> <sub>Y</sub> -320	32	48	36	/	/	/		
J961Y-P54/100V	/	30	22	10	/	/	≤540	蒸汽 Steam
J961Y-P54/140V	/	38	28	14	/	/		
J961Y-P54/170V	/	48	36	17	/	/		
J961Y-P55/100V	/	38	28	/	10	/	≤555	
J961Y-P55/140V	/	48	36	/	14	/		
J961Y-P55/170V	/	53	39	/	17	/		
J961Y-P57/100V	/	48	36	/	/	10	≤570	
J961Y-P57/140V	/	55	40	/	/	14		
J961Y-P57/170V	/	60	44	/	/	17		





**主要连接尺寸及重量 Main Connection Dimensions and Weight**

公称通径 DN	J961 <sup>H</sup> Y-100, 200, 250, 320 J961Y-P54/100V, P54/140V, P54/170V					
	主要外型尺寸和连接尺寸 Main dimensions and connection dimensions					
	L	D1	D2	D3	α	H
15	150	17	36	/	37.5°	518
20	135 170	22	42	/	37.5°	518
25	135 170	24	42	/	37.5°	518
32	170 180	36	44	/	37.5°	560
40	230	48	60	/	37.5°	545
50 <sup>(1)</sup>	250	50	82	/	32°	728
50 <sup>(2)</sup>	320 350	50	82	/	32°	748
65	370 260	69	100	110	32°	829
80	400 430 470	84	108	130	32°	898
100	455 560	107	144	165	32°	913

**注：DN50为两种结构**

J961Y-P55/100V, P55/140V, P55/170V J961Y-P57/100V, P57/140V, P57/170V						
L	D1	D2	D3	α	H	
15	17	40	/	37.5°	518	
20	22	46	/	37.5°	518	
25	24	46	/	37.5°	518	
32	36	49	/	37.5°	560	
40	48	60	/	37.5°	545	
50 <sup>(1)</sup>	50	90	/	32°	728	
50 <sup>(2)</sup>	50	90	/	32°	748	
65	69	104	115	32°	829	
80	84	110	140	32°	898	
100	107	148	170	32°	913	